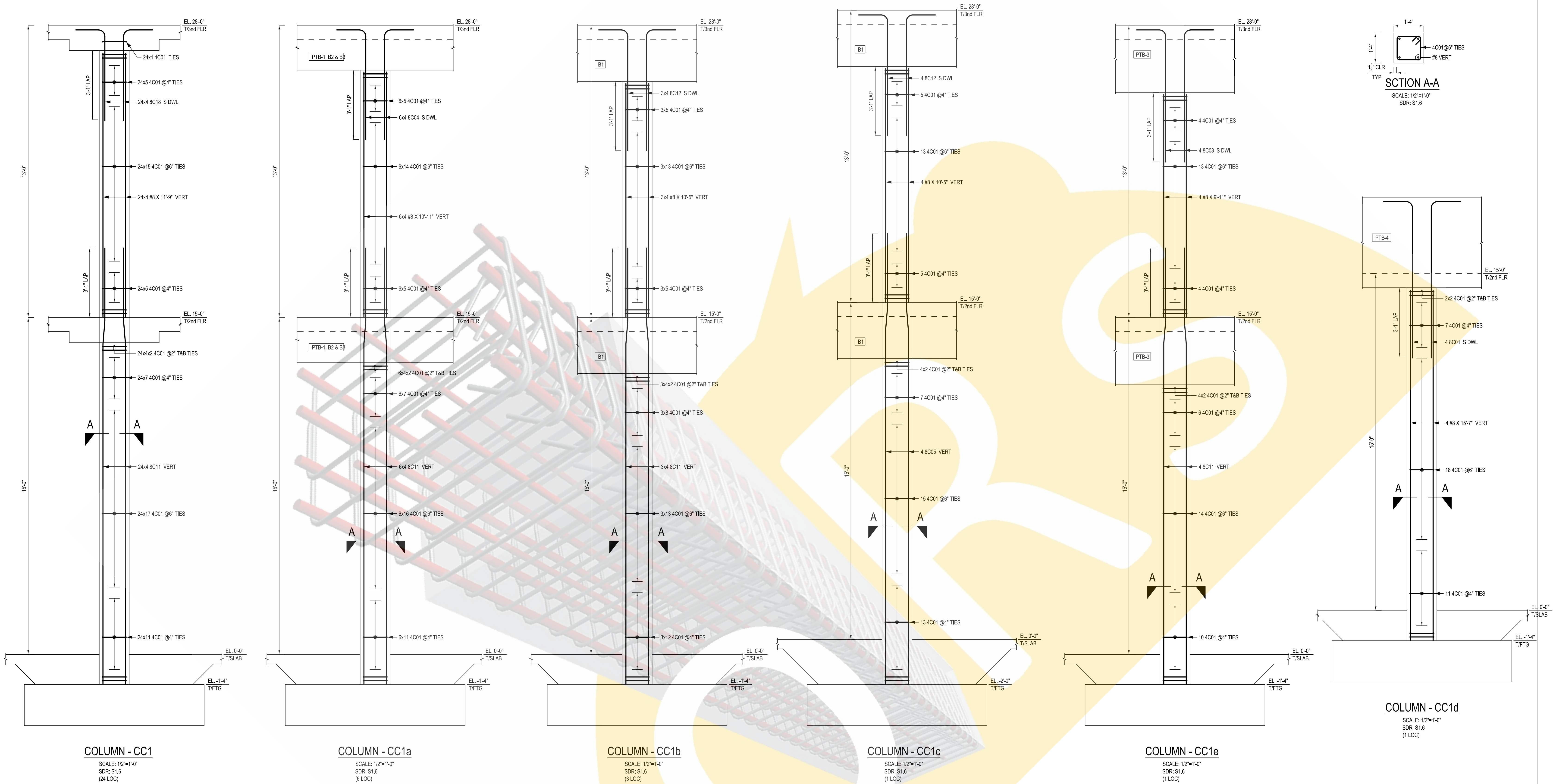


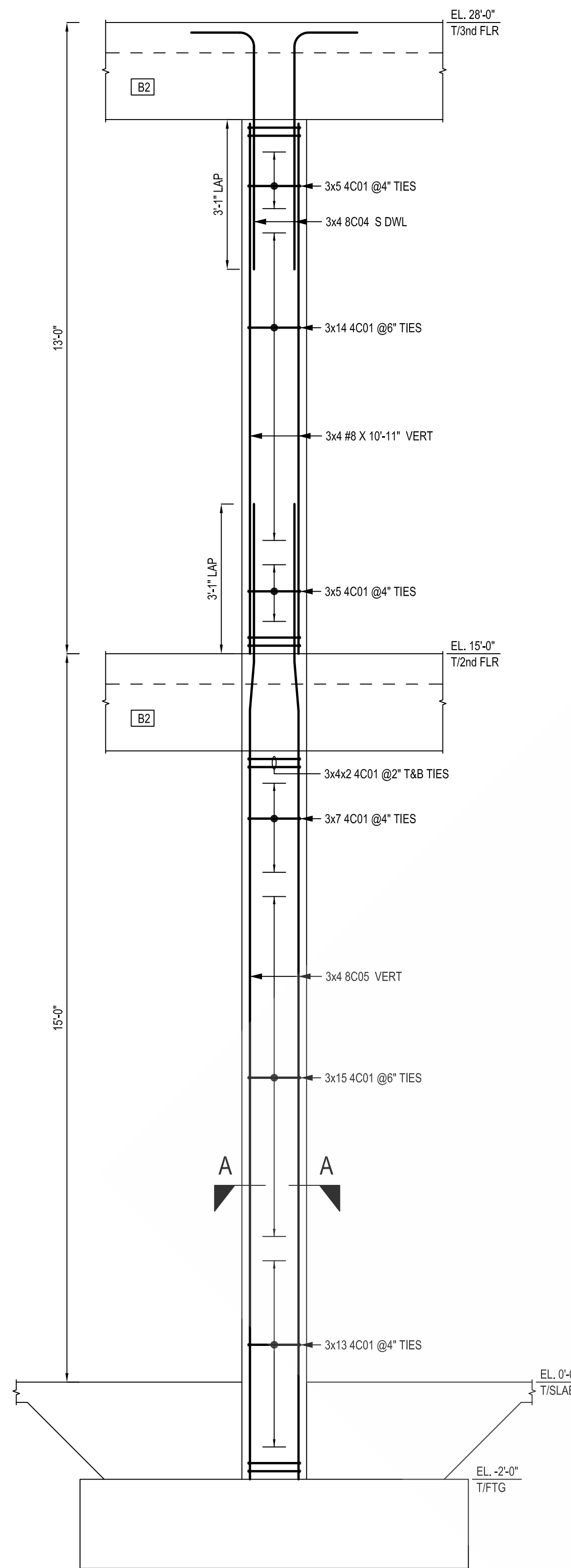
CONCRETE COLUMN REBAR LAYOUT  
 SCALE: 1/14"=1'-0"  
 SDR: S2.1



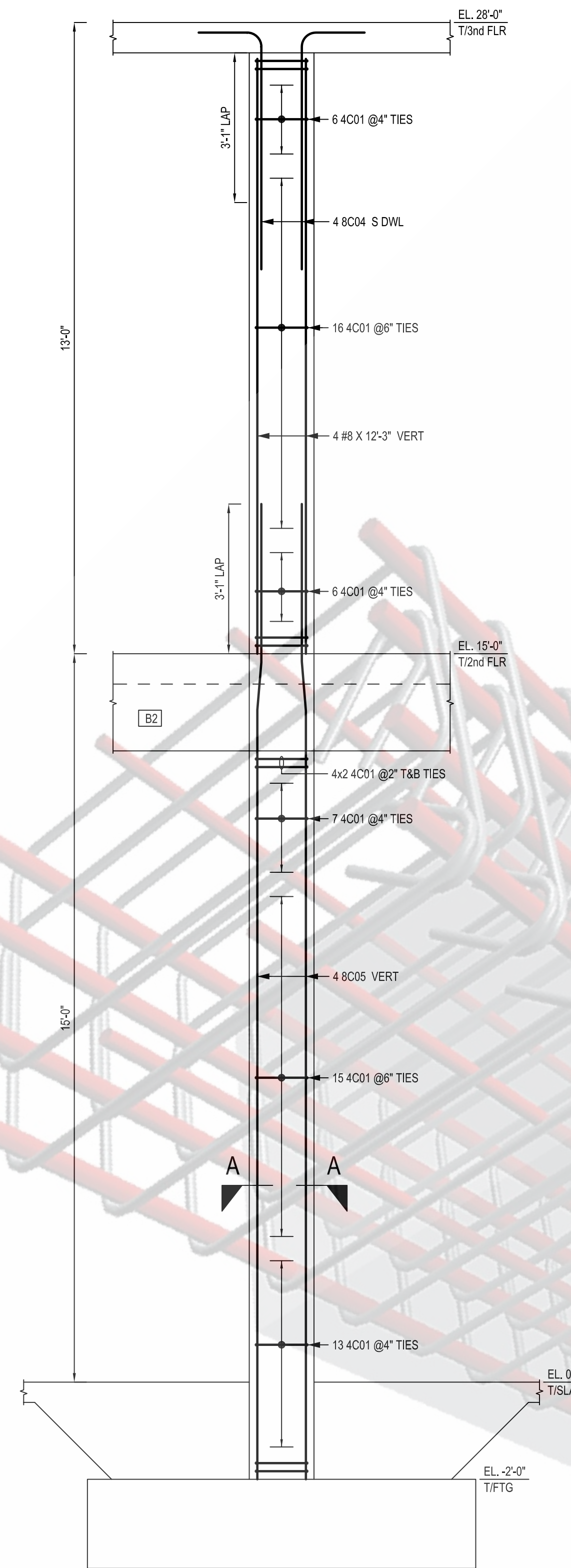
ONCE REBAR SERVICES



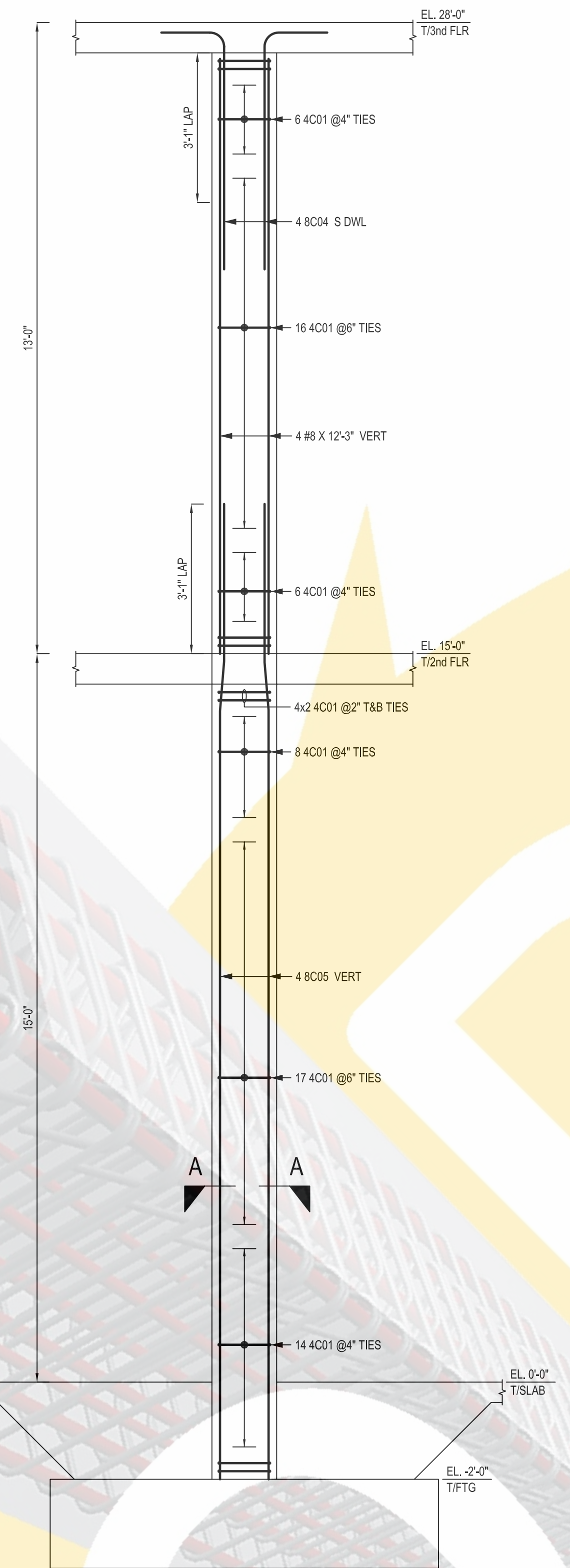
# ONCE REBAR SERVICES



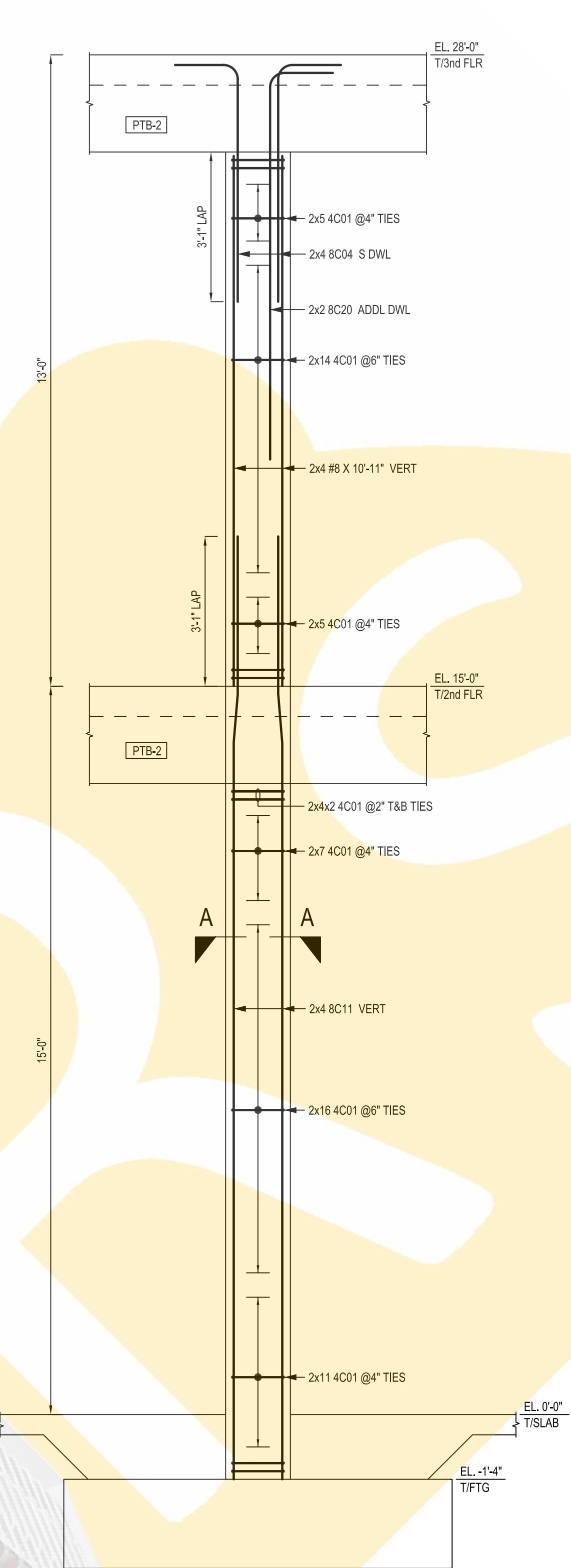
**COLUMN - CC1f**  
 SCALE: 1/2"=1'-0"  
 SDR: S1.6  
 (3 LOC)



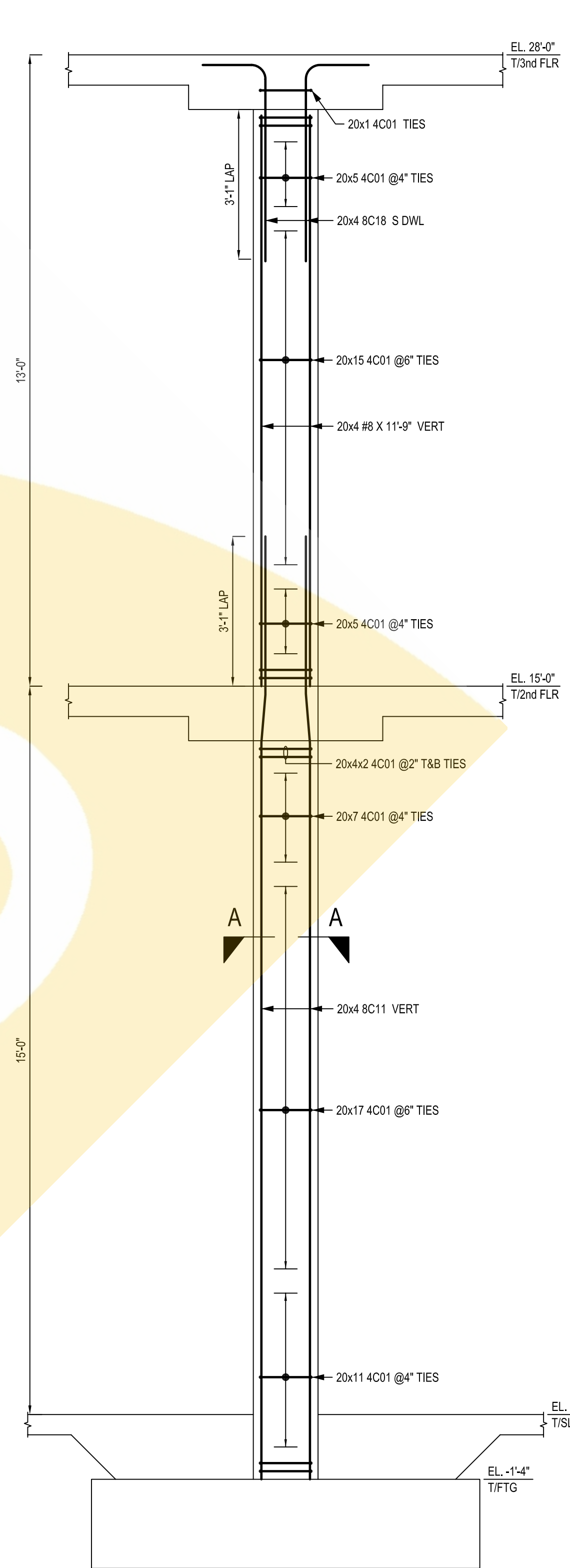
**COLUMN - CC1g**  
 SCALE: 1/2"=1'-0"  
 SDR: S1.6  
 (1 LOC)



**COLUMN - CC1h**  
 SCALE: 1/2"=1'-0"  
 SDR: S1.6  
 (1 LOC)

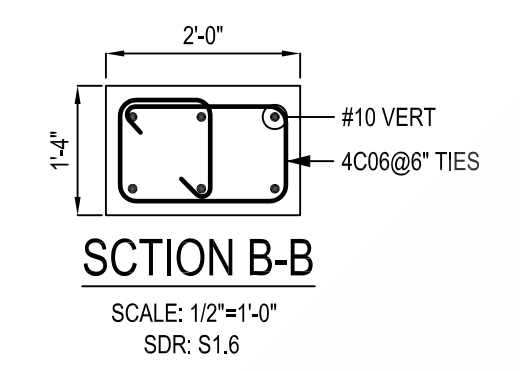
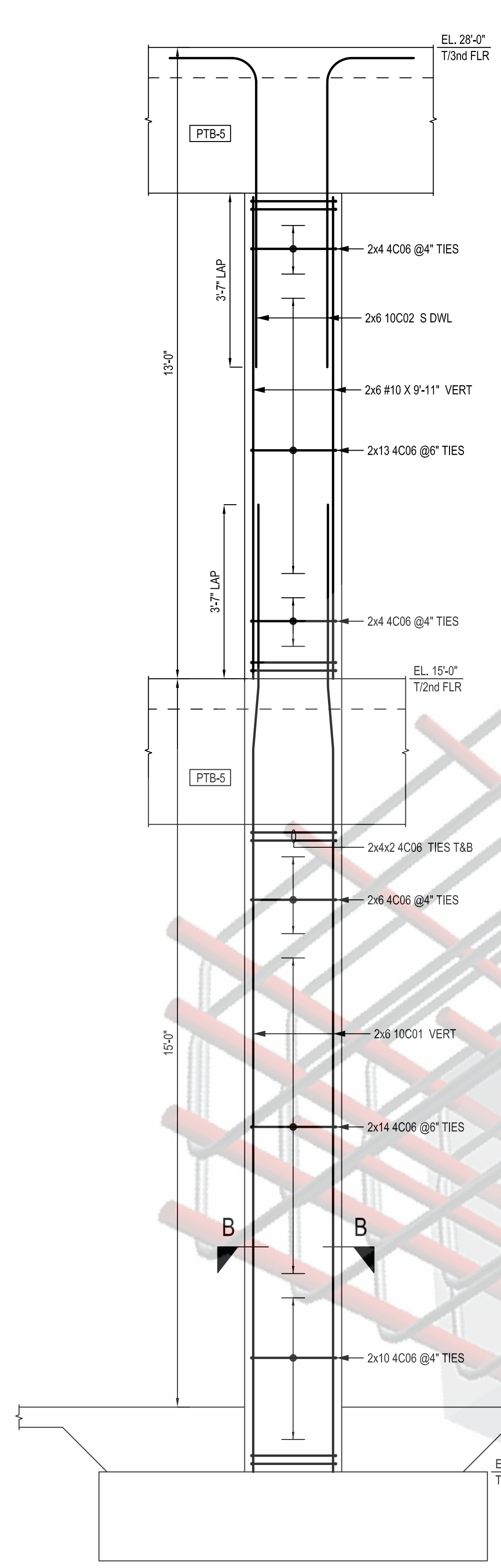


**COLUMN - CC1A**  
 SCALE: 1/2"=1'-0"  
 SDR: S1.6  
 (2 LOC)



**COLUMN - CC2**  
 SCALE: 1/2"=1'-0"  
 SDR: S1.6  
 (20 LOC)

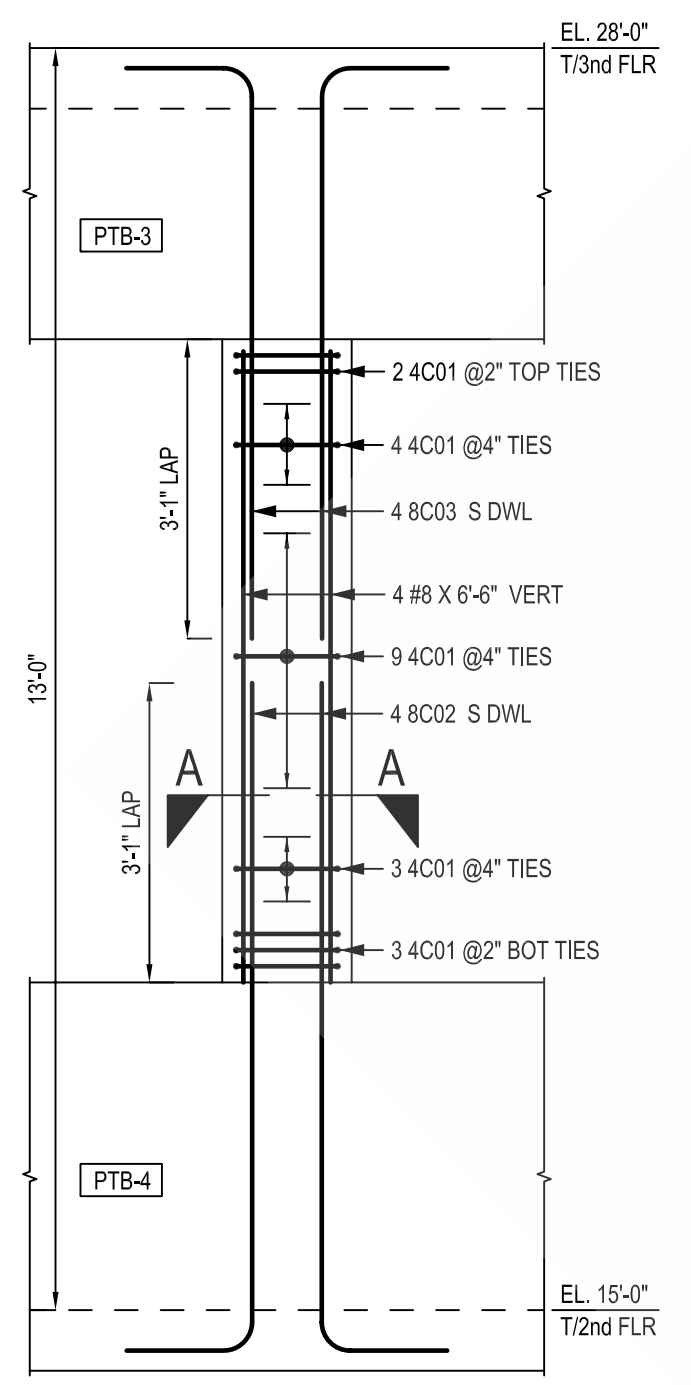
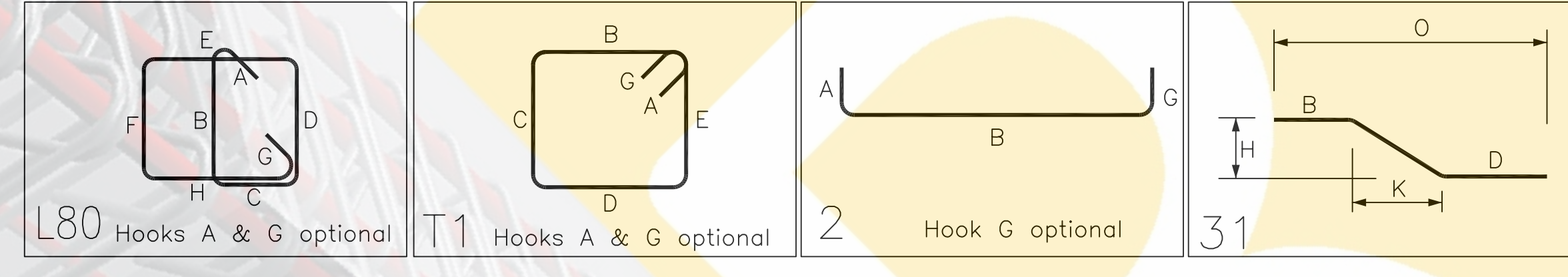
**ONCE REBAR SERVICES**



CONCRETE COLUMN								
f <sub>c</sub> =4000 PSI								
BAR DIA	CLASS B				SEISMIC			
	MISC BARS		TOP BARS		MISC BARS		TOP BARS	
	Ld	SPLICE	Ld	SPLICE	Ld	SPLICE	Ld	SPLICE
#3	12"	16"	16"	21"	15"	24"	21"	34"
#4	12"	16"	16"	21"	19"	30"	26"	41"
#5	15"	19"	19"	25"	23"	37"	32"	52"
#6	18"	23"	23"	29"	28"	44"	39"	62"
#7	25"	33"	33"	43"	32"	52"	45"	72"
#8	29"	37"	37"	49"	37"	59"	52"	82"
#9	33"	42"	42"	55"	42"	66"	58"	93"
#10	37"	47"	47"	62"	47"	75"	65"	104"
#11	41"	53"	53"	68"	52"	83"	73"	116"

CONCRETE COLUMN								
f <sub>c</sub> =5000 PSI								
BAR DIA	CLASS B				SEISMIC			
	MISC BARS		TOP BARS		MISC BARS		TOP BARS	
	Ld	SPLICE	Ld	SPLICE	Ld	SPLICE	Ld	SPLICE
#3	12"	16"	16"	21"	24"	24"	34"	34"
#4	12"	16"	16"	21"	27"	27"	37"	37"
#5	13"	17"	17"	22"	33"	33"	46"	46"
#6	16"	20"	20"	26"	40"	40"	55"	55"
#7	23"	29"	29"	38"	46"	46"	64"	64"
#8	26"	34"	34"	44"	53"	53"	74"	74"
#9	29"	38"	38"	49"	59"	59"	83"	83"
#10	33"	43"	43"	55"	67"	67"	93"	93"
#11	36"	47"	47"	61"	74"	74"	104"	104"

Release Number: R03-R03C		BENDING DETAILS													
Bar Mark	Qty	Size	Total Length	Type	'a'	'b'	'c'	'd'	'e'	'f'	'g'	'h'	'j'	'k'	'l'
4C01	4289	#4	5'-1"	T1	0'-4 1/2"	1'-1"	1'-1"	1'-1"	1'-1"	1'-1"	0'-4 1/2"				
4C06	118	#4	6'-8 1/2"	L80	0'-4 1/2"	1'-1"	0'-11 1/2"	1'-1"	1'-9"	1'-1"	0'-4 1/2"	1'-9"			
8C01	4	#8	8'-4"	2	1'-4"	7'-0"									
8C02	4	#8	8'-3"	2	1'-4"	6'-11"									
8C03	8	#8	7'-3"	2	1'-4"	5'-11"									
8C04	52	#8	6'-3"	2	1'-4"	4'-11"									
8C05	24	#8	20'-1"	31		3'-3"	1'-0"	15'-10"				0'-2"		1'-0"	20'-1"
8C11	224	#8	19'-5"	31		3'-3"	1'-0"	15'-2"				0'-2"		1'-0"	19'-5"
8C12	16	#8	6'-9"	2	1'-4"	5'-5"									
8C18	176	#8	5'-5"	2	1'-4"	4'-1"									
8C20	4	#8	9'-4"	2	1'-4"	8'-0"									
10C01	12	#10	19'-11"	31		3'-9"	1'-3 1/4"	14'-10 1/4"				0'-2 1/4"		1'-3 1/4"	19'-11"
10C02	12	#10	8'-3"	2	1'-10"	6'-5"									



COLUMN - CC3  
SCALE: 1/2"=1'-0"  
SDR: S1.6  
(1 LOC)

COLUMN - CC5  
SCALE: 1/2"=1'-0"  
SDR: S1.6  
(2 LOC)

# ONCE REBAR SERVICES